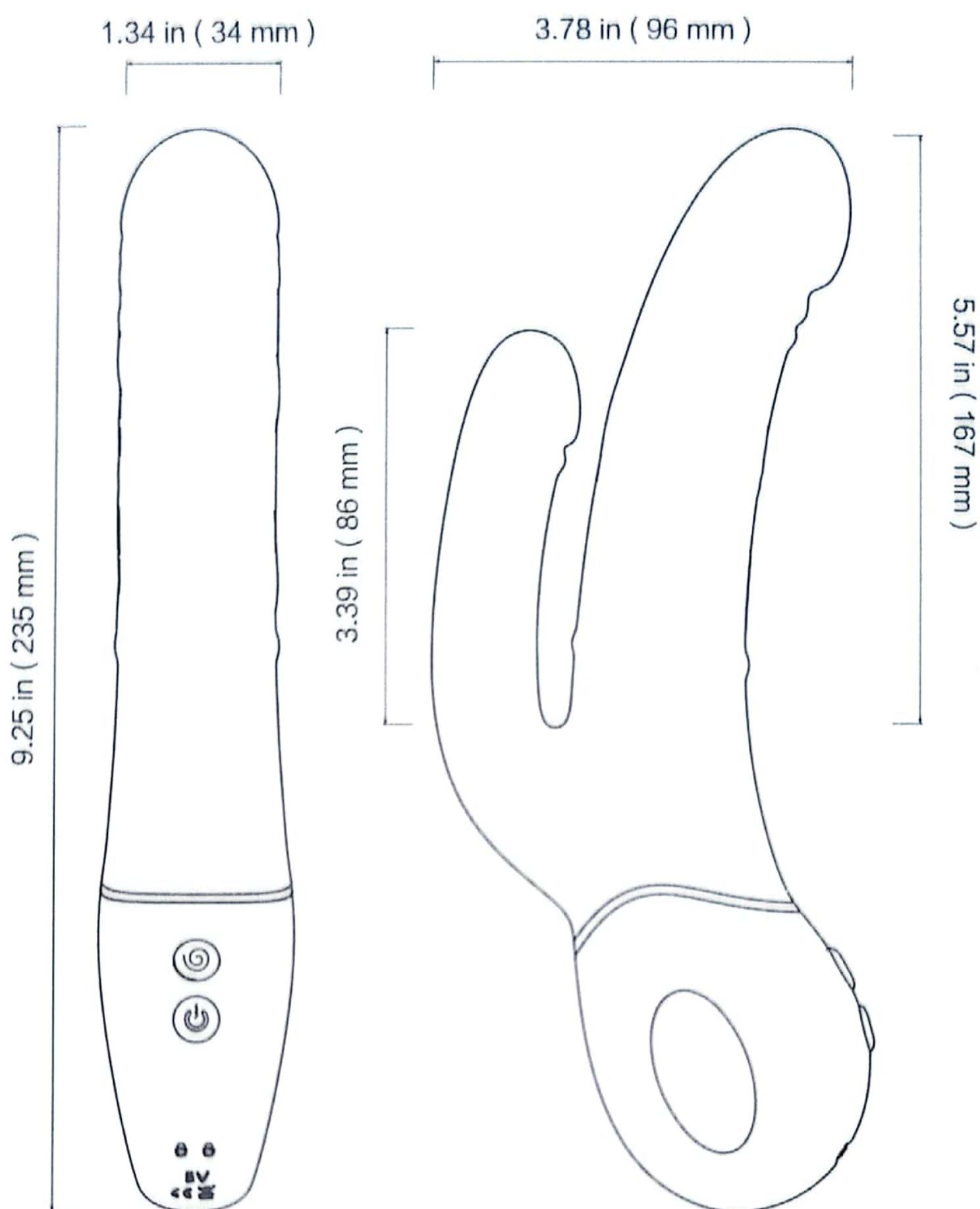




# QUICK START GUIDE

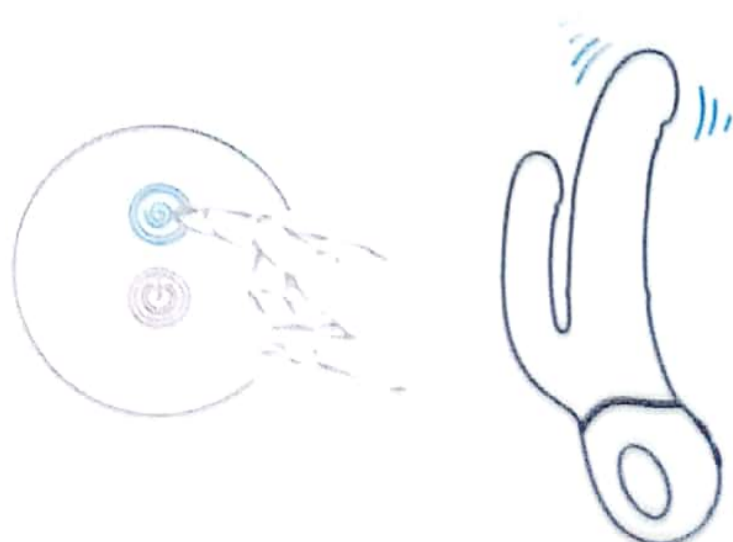
## SIZE



## FUNCTION



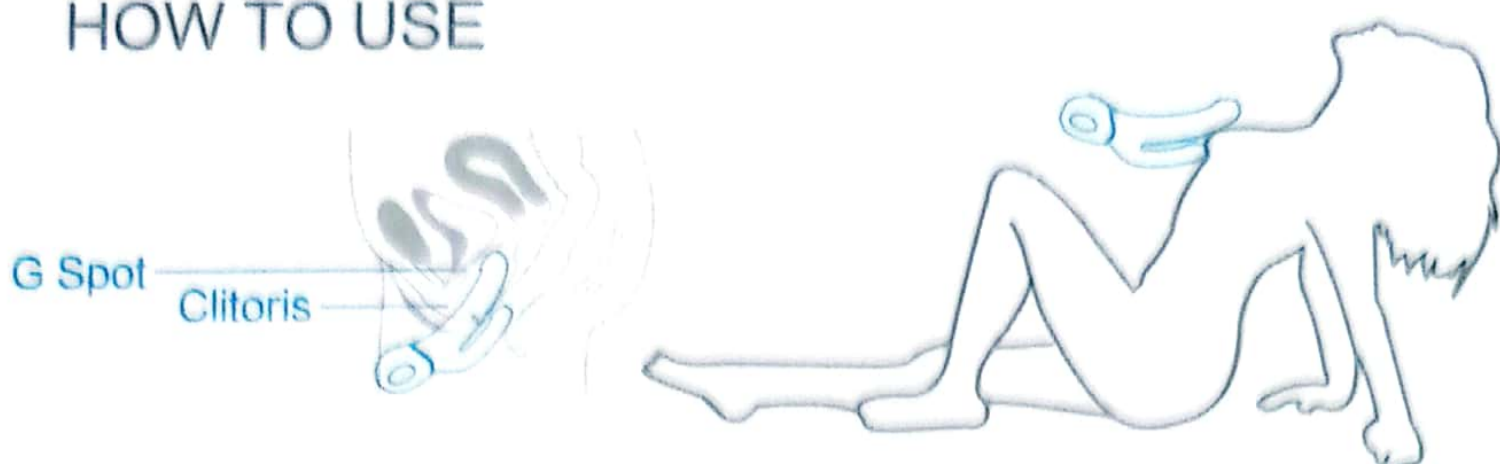
- ON/OFF:  
Hold on “” for 3 seconds
- Hold the “” button to change vibrating patterns of the rabbit, 9 patterns in total



- Press “” to change vibration of the shaft, 9 patterns in total

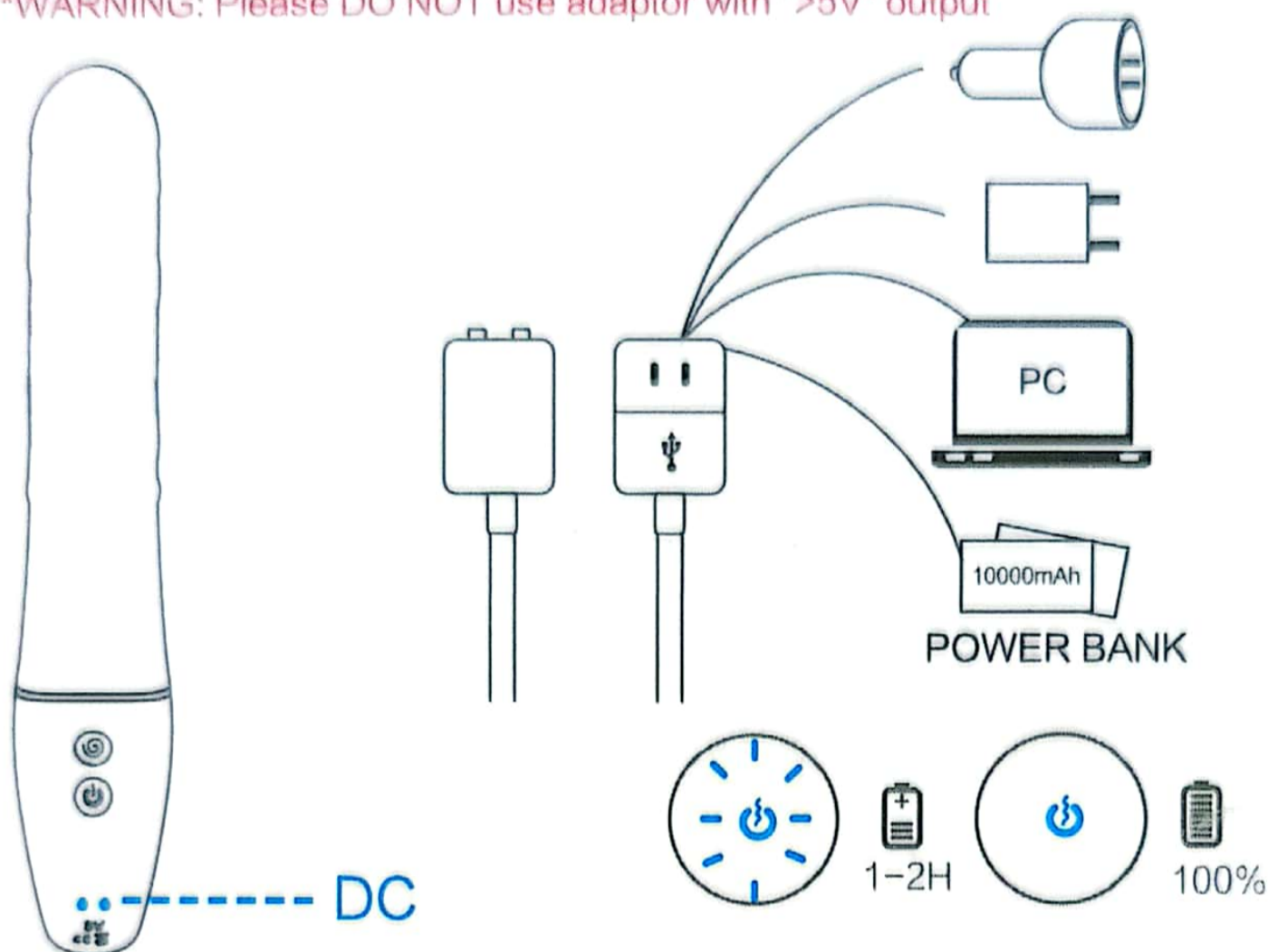


## HOW TO USE



## USB MAGNETIC CHARGING

\*WARNING: Please DO NOT use adaptor with ">5V" output



- Connect the device to USB port to charge .
- Do not use the device while charging.
- Please connect with power adaptor below 5V.
- Can not keep in water for a long time.
- If the product can't be charged when electrified, please wait for 10 mins to confirm.

## PRODUCT CLEANING

- Clean Please clean product with warm water or antibacterial soap.
- Wipe Dry the product with clean cloth or towels.
- Save Keep the product in a cool, dry and clean place.
- Attention Never clean this product with organic cleaner that contains alcohol, gasoline or acetone. Avoid direct sunshine.

## SAFETY

- Do not use it at temperature over 167°F/75 °C.
- Stop using it when any discomfort occurs.
- It is recommended to use it with water-based lubricant.
- Do not use it if you find the product unsmooth or damaged.
- Keep out of reach of children.



MADE IN CHINA